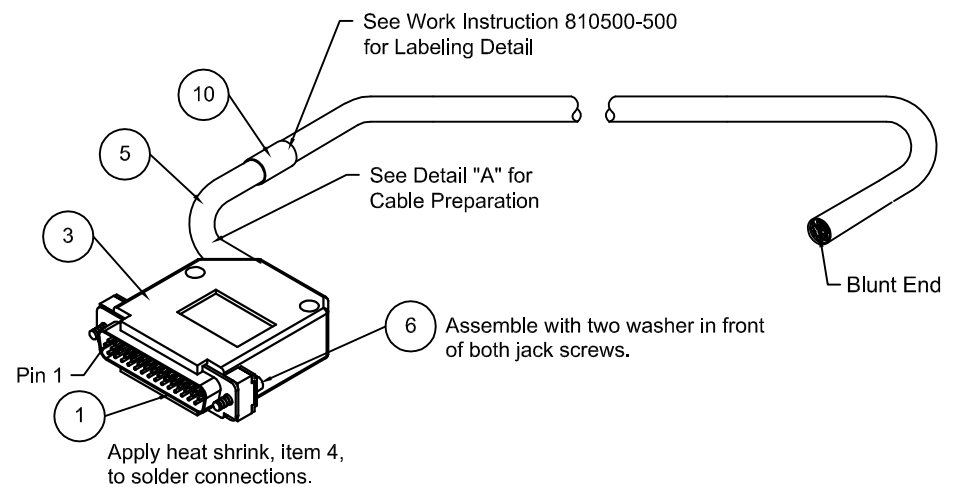


DETAIL "A"



					UNLESS OTHERWISE SPECIFIED DIMENSIONS ARE IN INCHES TOLERANCES ON			12005 TECHNOLOGY DR. EDEN PRAIRIE, MN 55344	
					±	2PLC	3PLC	ANGLE	DESCRIPTION:
					.01	.005	.50°	DRAWING, CABLE ASSY, CDRO	
					MATERIAL: SEE BOM			SIZE	FSCM NO.
					FINISH: SEE NOTES			SIZE	FSCM NO.
A3	4051	05/29/03	Gene S		DWG BY DATE			DWG NO.	REV
A2	3418	03/29/00	BJD	BD 03/29/00	Beth A 09/25/97			810710-000	A3
A1	3078	04/29/98	BMA	BD 04/29/98	ENG. APPD/CHK DATE			SCALE	SHEET
02	2968A	03/24/98	BMA	BD 03/27/98	BJD 03/13/98			N/A	SHT 1 OF 1
REV	ECO NUMBER	DATE	BY	APPROVED					